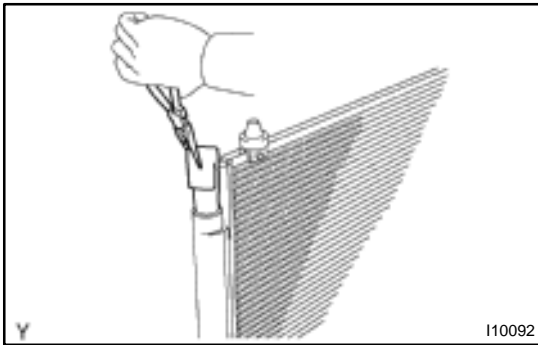


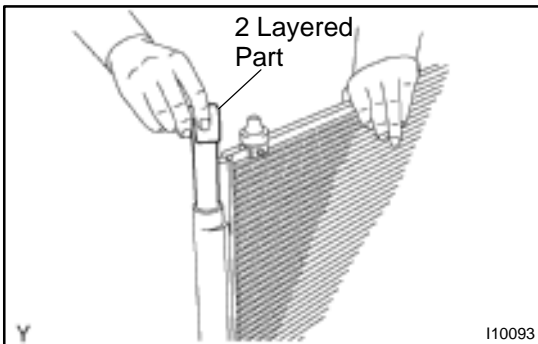
## REPLACEMENT

### REPLACE DRYER FROM MODULATOR

- (a) Using a 10 mm hexagon wrench, remove the cap from the modulator.
- (b) Remove the filter from the modulator.



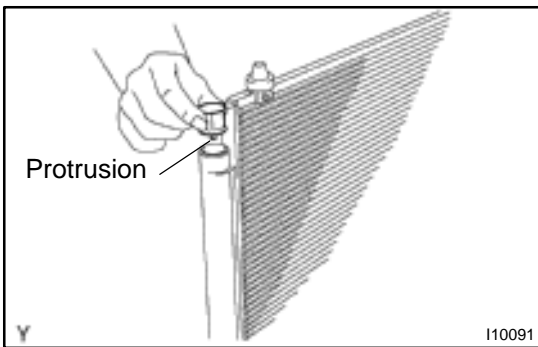
- (c) Using pliers, remove the dryer.



- (d) Insert a new dryer into the modulator.

**NOTICE:**

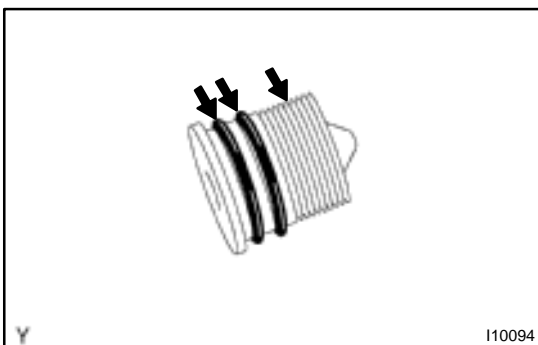
- Do not remove the dryer from a vinyl bag until inserting it into the modulator.
- Install the dryer with its 2 layered part faced upward to the modulator.



- (e) Insert the filter into the modulator.

**NOTICE:**

Install the filter with its protrusion faced downward to the modulator.



- (f) Install the cap to the modulator.
  - (1) Apply compressor oil to the O-rings and screw part of the cap.

**Compressor oil: ND-OIL 8 or equivalent**

- (2) Using a 10 mm hexagon wrench, install the caps.

**Torque: 12.3 N·m (125 kgf·cm, 9 ft·lbf)**